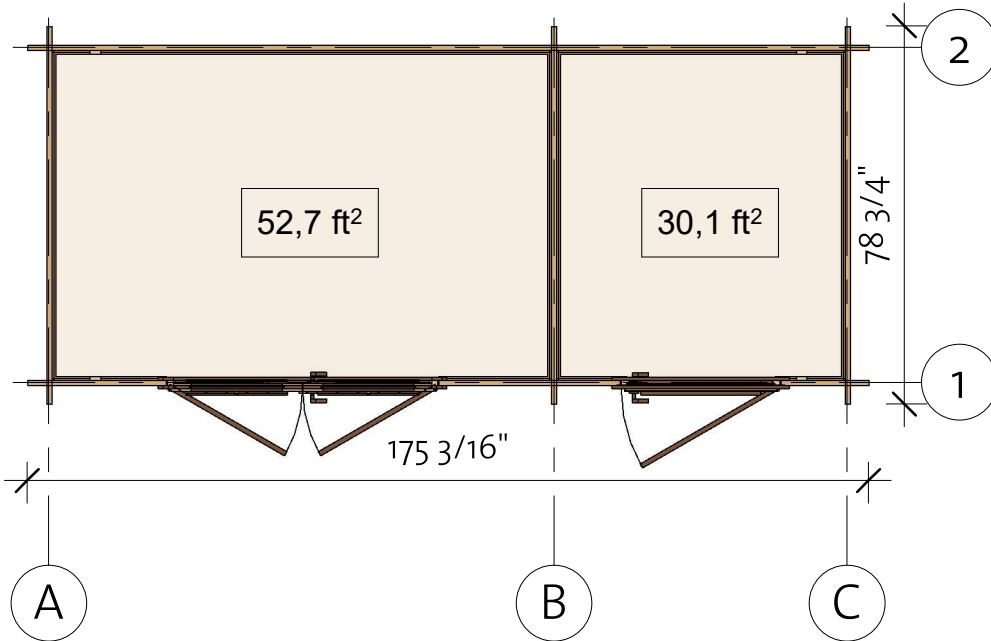
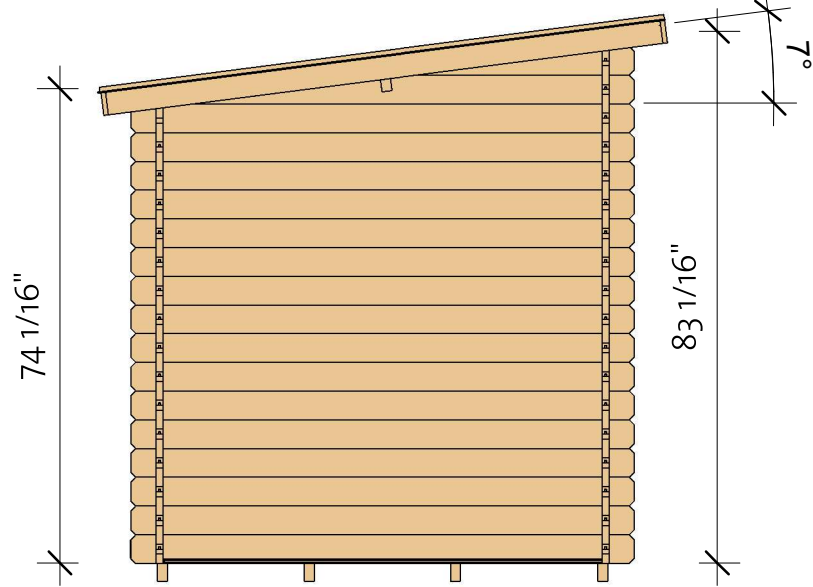


Ottawa 2 1 1/8" (167 5/16" x 70 7/8")




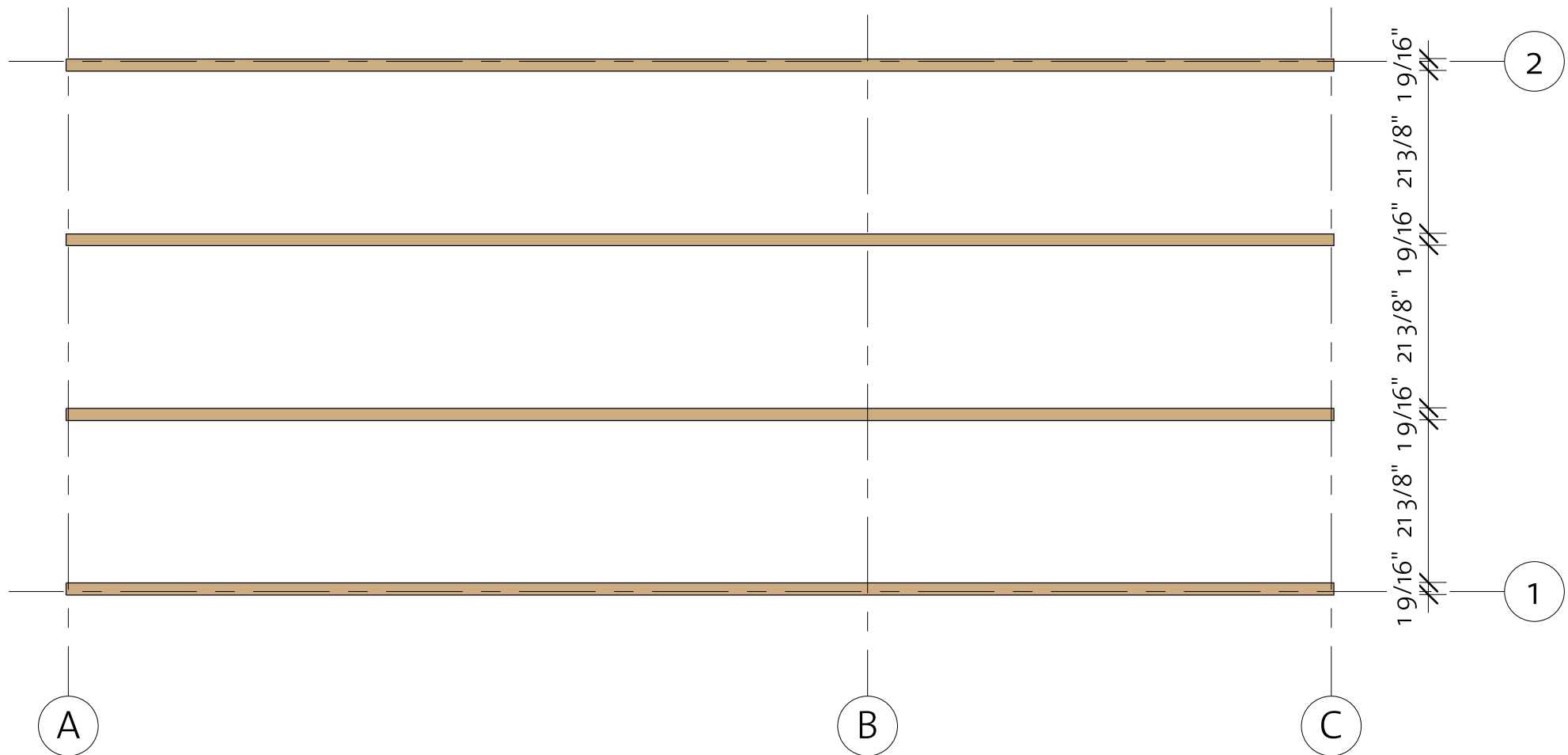
190417

Ottawa 2 1 1/8" (167 5/16" x 70 7/8")

Foundation

Impregnated foundation beams				
Mark	Type	Profile	Length	Count

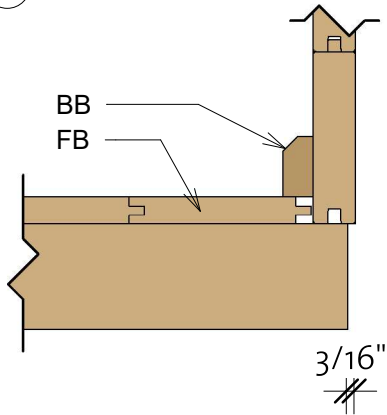
IFB	IFB 40x70		166 15/16"	4
-----	--------------	---	---------------	---





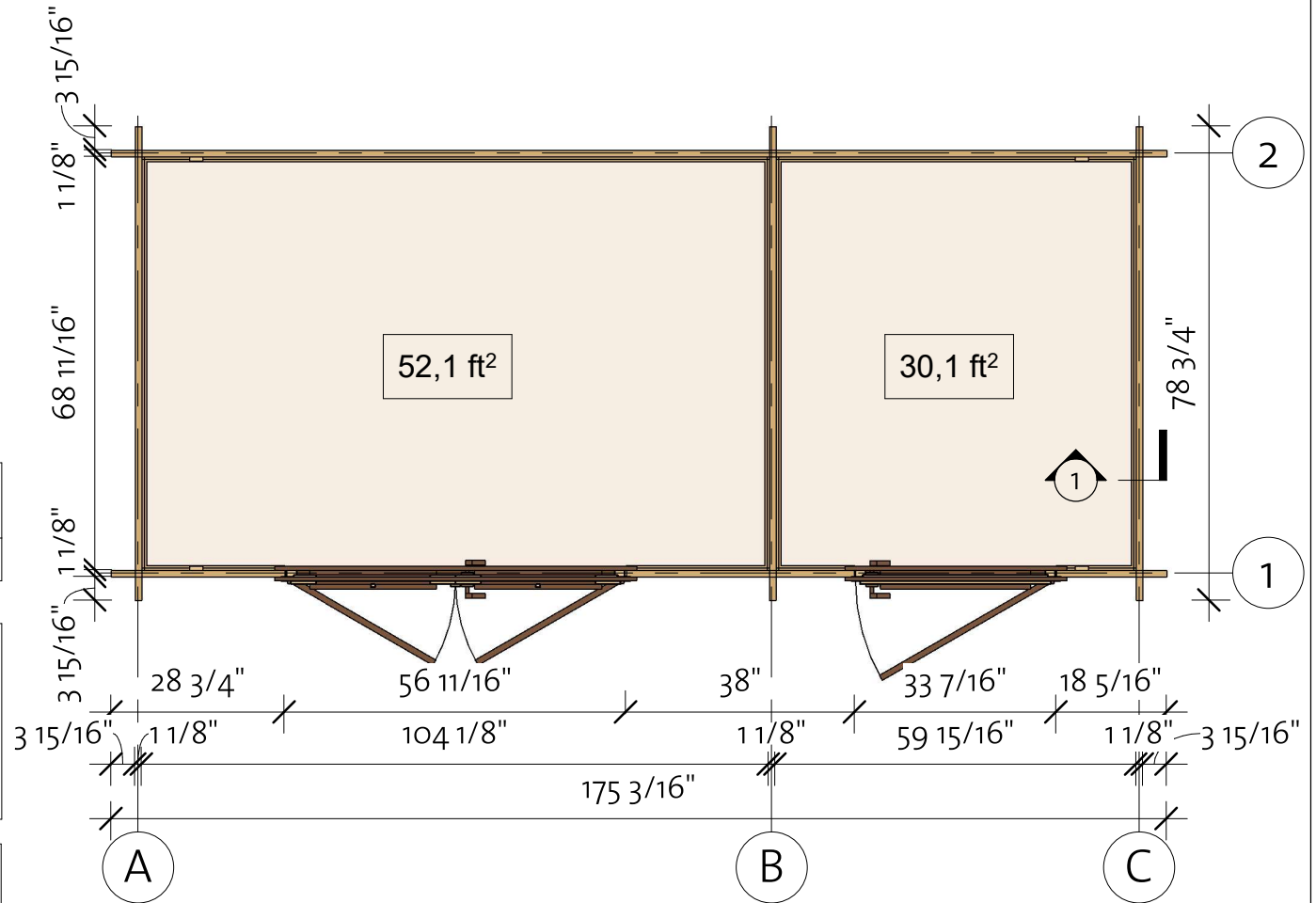
Ottawa 2 1 1/8" (167 5/16" x 70 7/8")

Floor Plan

① Baseboard

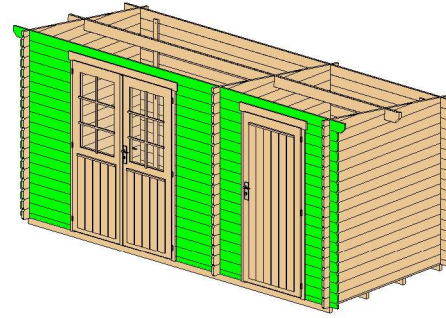


Floor Schedule				
Mark	Type	Profile	Count	Length
FB	FB 18x110		39	68 1/2"
BB	BB 20x40		6	70 7/8"
BB	BB 20x40		2	110 1/4"



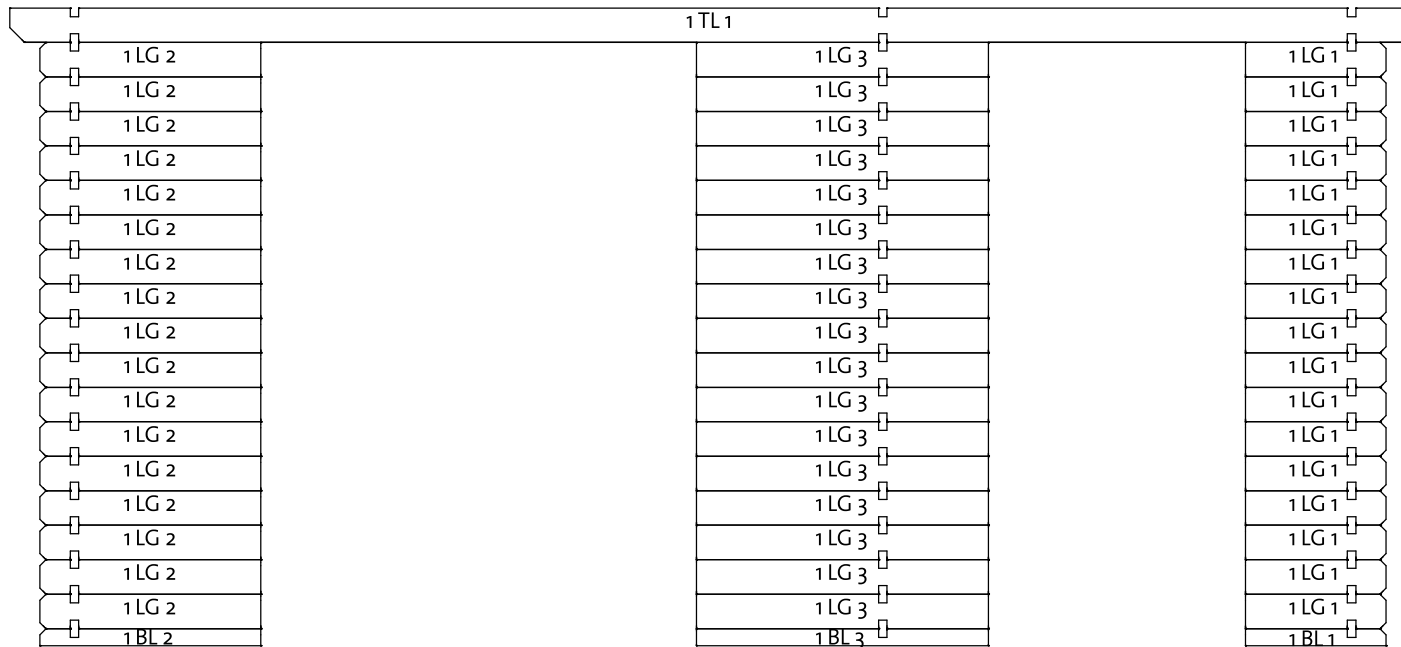
Ottawa 2 1 1/8" (167 5/16"x70 7/8")

Wall 1



Wall 1			
Mark	Profile	Count	Cut Length

1BL 1	28x57	1	18 5/16"
1BL 2	28x57	1	28 3/4"
1BL 3	28x57	1	38"
1LG 1	28x114	17	18 5/16"
1LG 2	28x114	17	28 3/4"
1LG 3	28x114	17	38"
1TL 1	28x114	1	183 1/16"



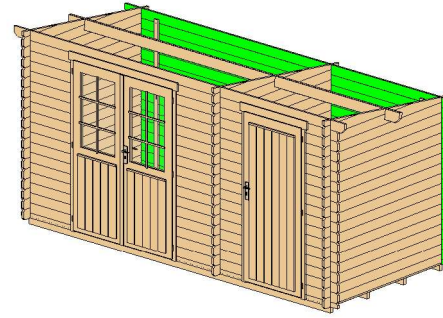
3 15/16" 28 3/4" 56 11/16" 38" 33 7/16" 18 5/16" 3 15/16"

Log Profile Wall 1	
Profile	Profile

28x57	
28x114	
28x114	

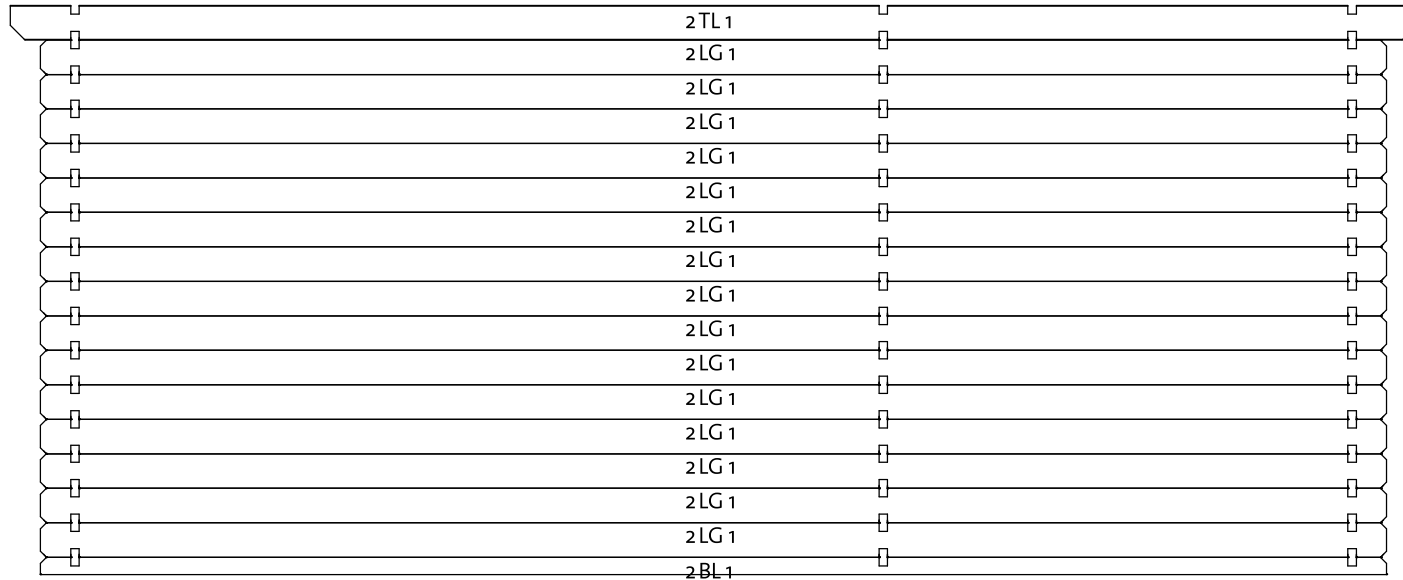
Ottawa 2 1 1/8" (167 5/16"x70 7/8")

Wall 2



Wall 2			
Mark	Profile	Count	Cut Length

2BL 1	28x57	1	175 3/16"
2LG 1	28x114	15	175 3/16"
2TL 1	28x114	1	183 1/16"



3 15/16"
//

175 3/16"

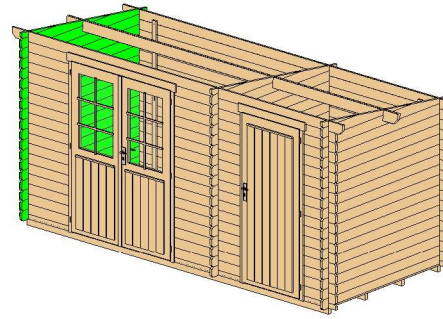
3 15/16"
//

Log Profile Wall 2	
Profile	Profile

28x57	
28x114	
28x114	

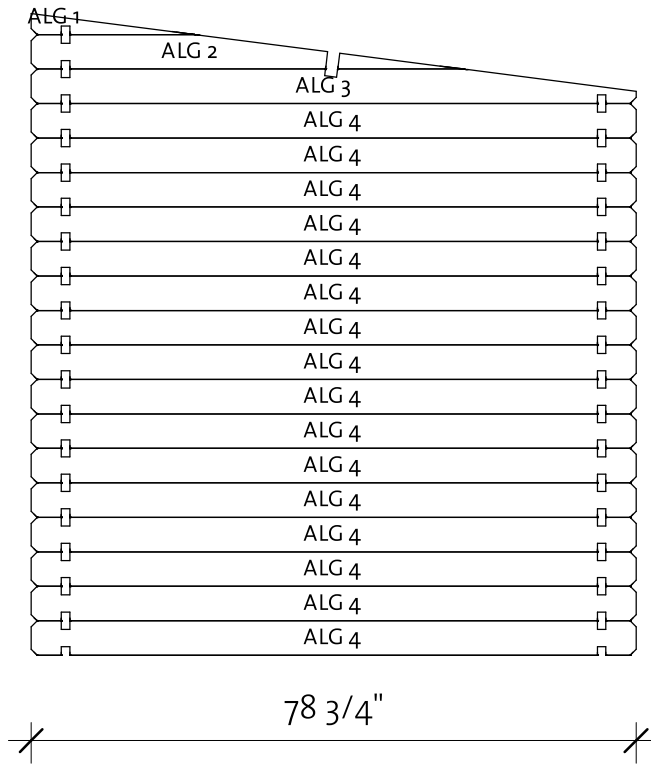
Ottawa 2 1 1/8" (167 5/16" x 70 7/8")

Wall A

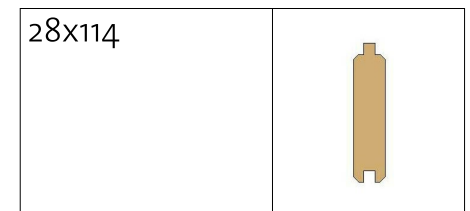


Wall A			
Mark	Profile	Count	Cut Length

ALG 1	28x114	1	21 3/8"
ALG 2	28x114	1	56 1/4"
ALG 3	28x114	1	78 3/4"
ALG 4	28x114	16	78 3/4"

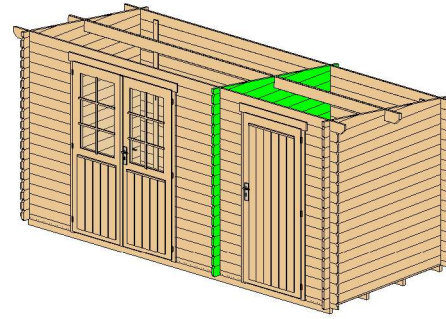


Log Profile Wall A	
Profile	Profile



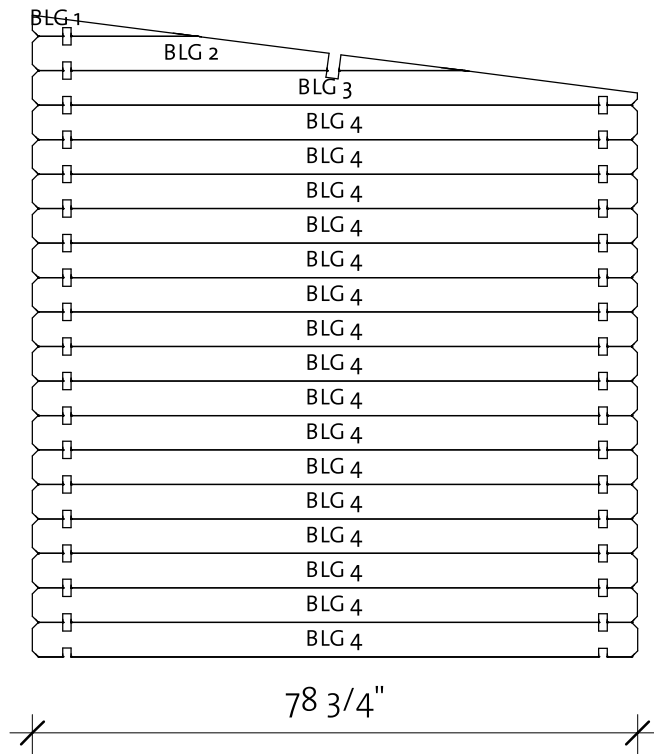
Ottawa 2 1 1/8" (167 5/16" x 70 7/8")

Wall B



Wall B			
Mark	Profile	Count	Cut Length

BLG 1	28x114	1	21 3/8"
BLG 2	28x114	1	56 1/4"
BLG 3	28x114	1	78 3/4"
BLG 4	28x114	16	78 3/4"

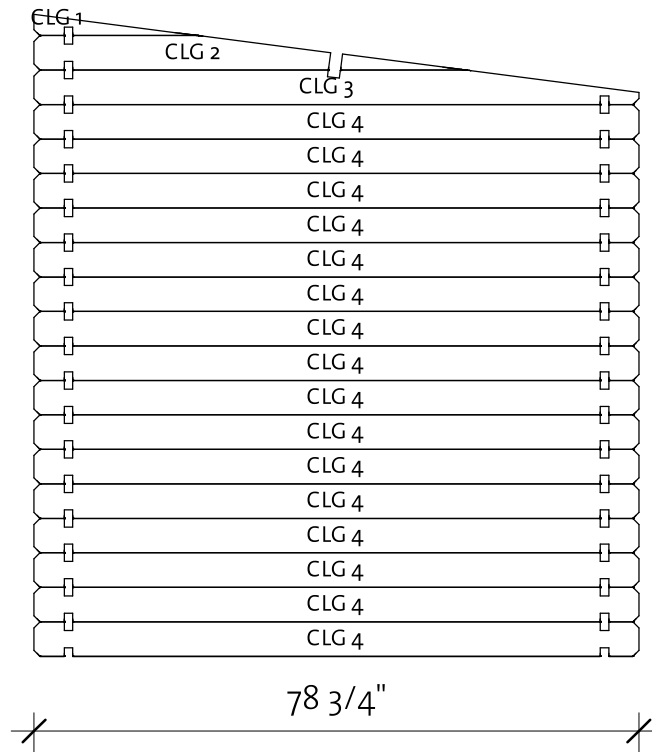
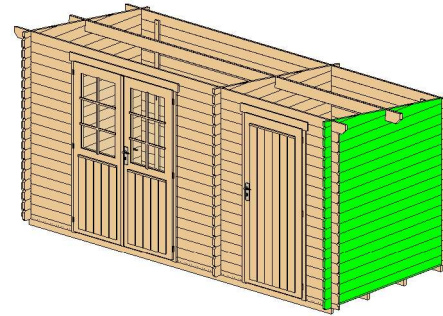


Log Profile Wall B	
Profile	Profile

28x114	
--------	--

Ottawa 2 1 1/8" (167 5/16" x 70 7/8")

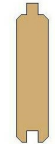
Wall C



Wall C			
Mark	Profile	Count	Cut Length

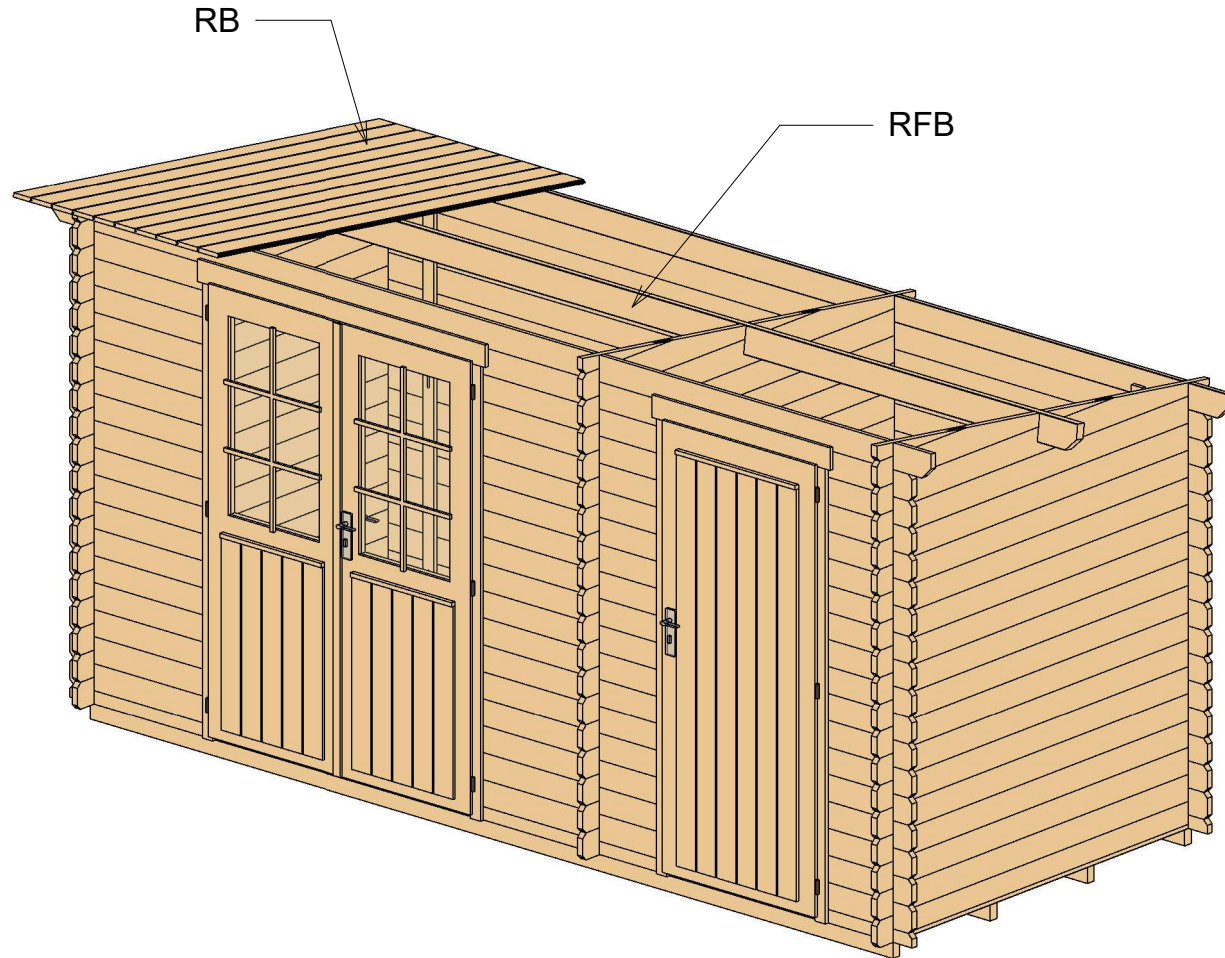
CLG 1	28x114	1	21 3/8"
CLG 2	28x114	1	56 1/4"
CLG 3	28x114	1	78 3/4"
CLG 4	28x114	16	78 3/4"

Log Profile Wall C	
Profile	Profile



28x114	
--------	---

Ottawa 2 1 1/8" (167 5/16"x70 7/8")

Roof 1

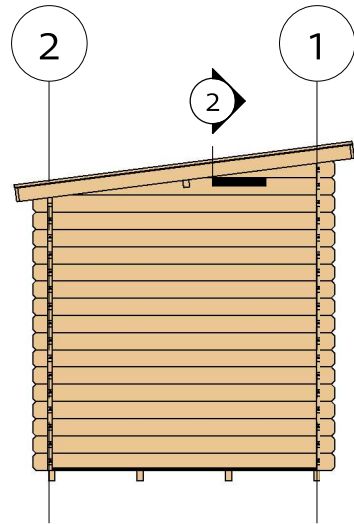


Roof				
Mark	Type	Profile	Count	Length

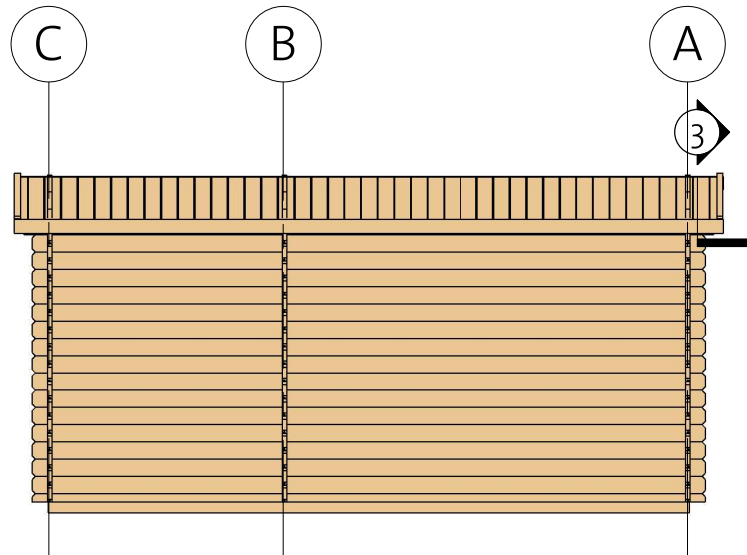
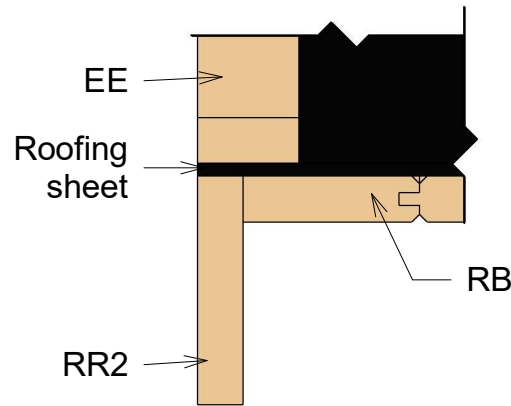
RFB	Beam 40x120		1	183 1/16"
RB	RoofBoard 18x110		44	87 3/8"

Ottawa 2 1 1/8" (167 5/16" x 70 7/8")

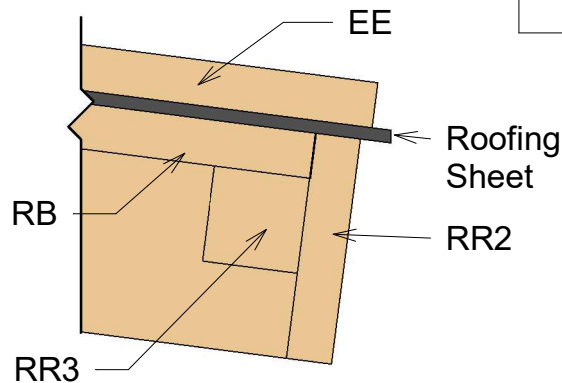
Roof 2



② Fascia



③ Roof Reinforcement



Fascia Schedule

Mark	Type	Profile	Count	Length
EE	Eave Edging 18x40		2	89"
RR1	Roof reinforcement 18x90		2	184 5/8"
RR2	Roof reinforcement 18x90		2	87 3/8"
RR3	Roof reinforcement 38x38		2	183 1/16"

Ottawa 2 1 1/8" (167 5/16" x 70 7/8")

Extras



Door Schedule				
Model	Type	Width	Height	Count
BDD1R	Basic double door 1 right	56 1/8"	76 15/16"	1
BD2R	Basic door 2, wood right	33 1/16"	76 15/16"	1
DCB6	Door crossbar 6	--	--	2

Fasteners/Extras		
Name	Comments	Count


Hitblock	11 13/16"-15 3/4"	
Bolts	M5/16" x 2 3/8"	12
Screws	3/16" x 2 3/4"	15
Screws	1/4" x 5 1/2"	30
Nails	1/16" x 1 9/16"	35
Screws	3/16" x 1 9/16"	70
Screws	3/16" x 2"	320

Windboard		
Type	Count	Length
Windboard 18x40	4	86 5/8"


Ottawa 2 1 1/8" (167 5/16"x70 7/8")


List of all items 1

Impregnated foundation beams				
Mark	Type	Profile	Length	Count



IFB	IFB 40x70		166 15/16"	4
-----	--------------	---	---------------	---

Floor Schedule				
Mark	Type	Profile	Count	Length


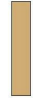
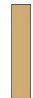

FB	FB 18x110		39	68 1/2"
----	-----------	---	----	---------

BB	BB 20x40		6	70 7/8"
BB	BB 20x40		2	110 1/4"

Roof				
Mark	Type	Profile	Count	Length

RFB	Beam 40x120		1	183 1/16"
RB	RoofBoard 18x110		44	87 3/8"

Fascia Schedule				
Mark	Type	Profile	Count	Length

EE	Eave Edging 18x40		2	89"
RR1	Roof reinforcement 18x90		2	184 5/8"
RR2	Roof reinforcement 18x90		2	87 3/8"
RR3	Roof reinforcement 38x38		2	183 1/16"

Ottawa 2 1 1/8" (167 5/16"x70 7/8")

List of all items 2


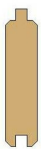
Wall 1			
Mark	Profile	Count	Cut Length

1BL 1	28x57	1	18 5/16"
1BL 2	28x57	1	28 3/4"
1BL 3	28x57	1	38"
1LG 1	28x114	17	18 5/16"
1LG 2	28x114	17	28 3/4"
1LG 3	28x114	17	38"
1TL 1	28x114	1	183 1/16"

Wall 2			
Mark	Profile	Count	Cut Length

2BL 1	28x57	1	175 3/16"
2LG 1	28x114	15	175 3/16"
2TL 1	28x114	1	183 1/16"

Log Profiles	
Profile	Profile

28x57	
28x114	

Wall A			
Mark	Profile	Count	Cut Length

ALG 1	28x114	1	21 3/8"
ALG 2	28x114	1	56 1/4"
ALG 3	28x114	1	78 3/4"
ALG 4	28x114	16	78 3/4"

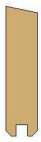
Wall B			
Mark	Profile	Count	Cut Length

BLG 1	28x114	1	21 3/8"
BLG 2	28x114	1	56 1/4"
BLG 3	28x114	1	78 3/4"
BLG 4	28x114	16	78 3/4"

Wall C			
Mark	Profile	Count	Cut Length

CLG 1	28x114	1	21 3/8"
CLG 2	28x114	1	56 1/4"
CLG 3	28x114	1	78 3/4"
CLG 4	28x114	16	78 3/4"

Log Profiles	
Profile	Profile

28x114	
--------	---