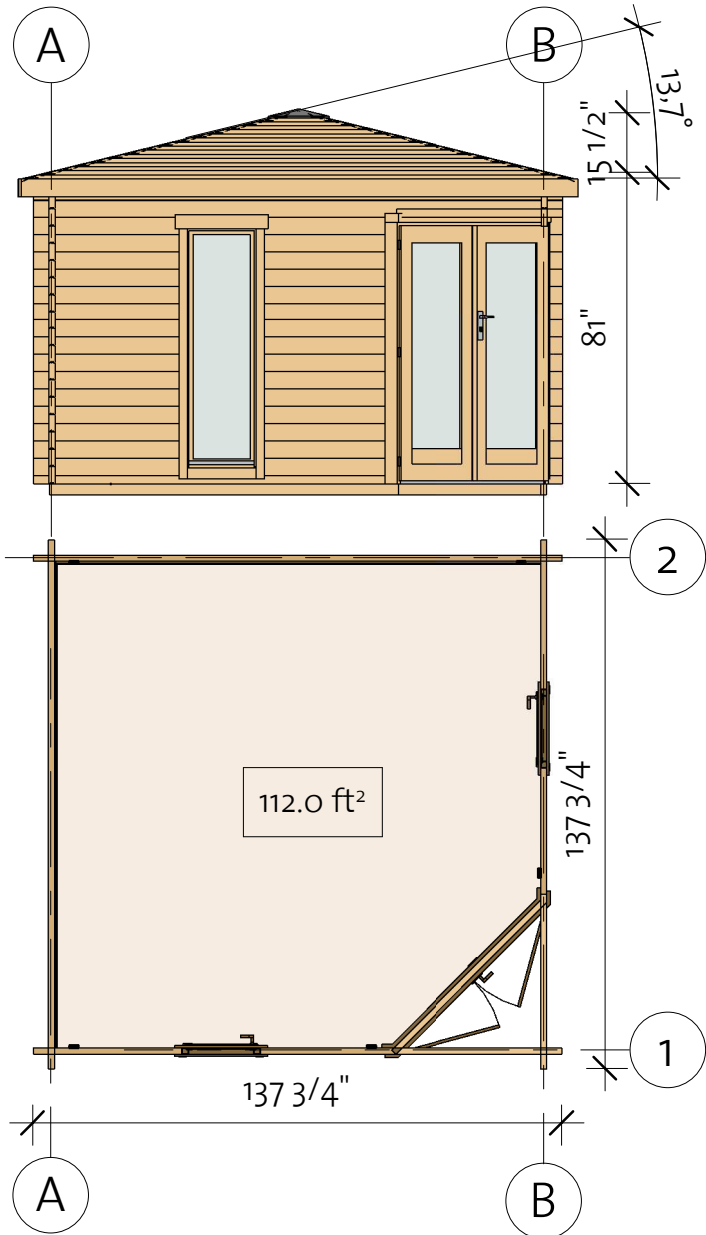


Victoria D 40 (129 7/8" x 129 7/8")

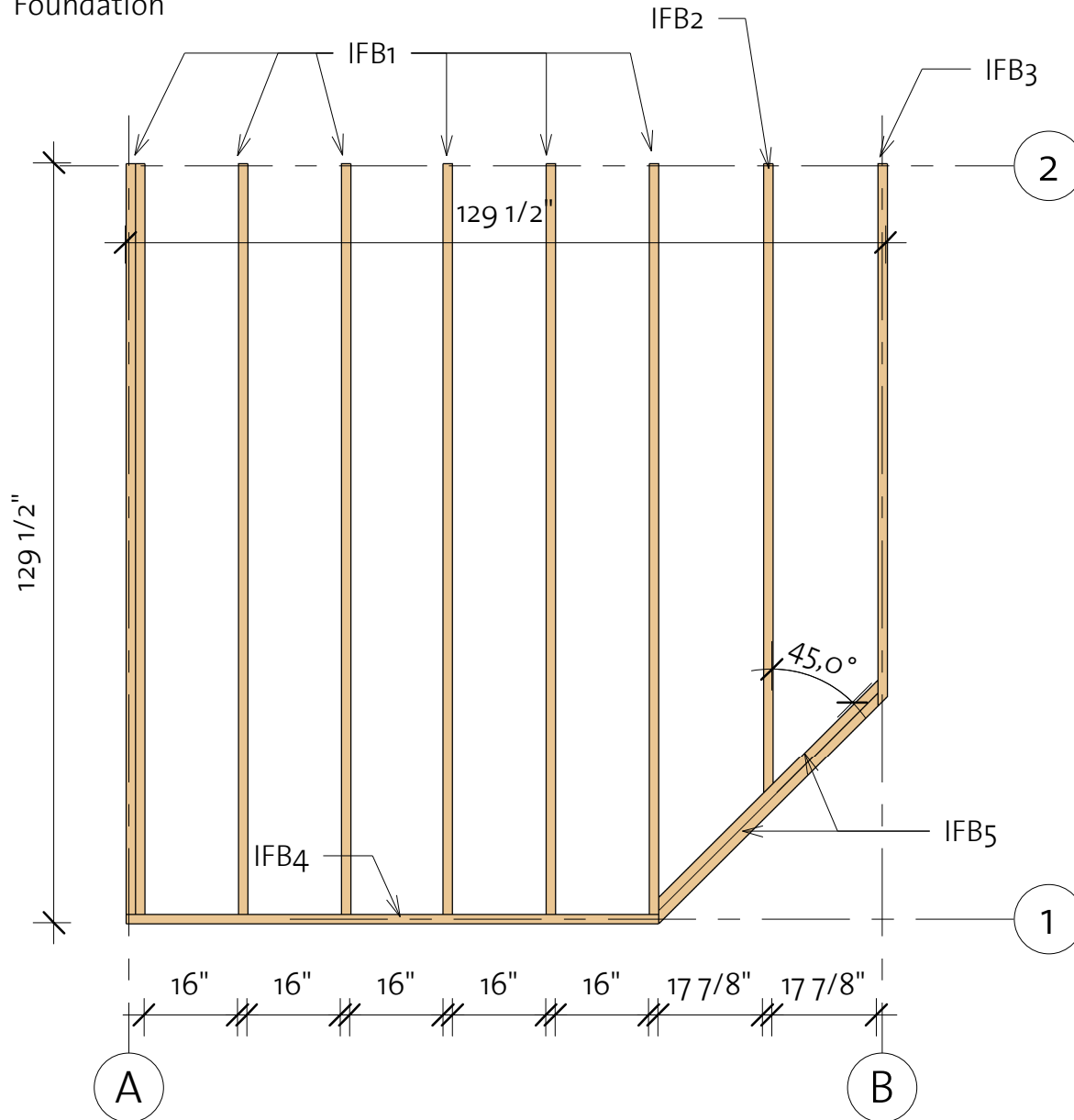


91807204_210201

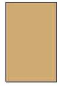
EZ Log Structures
Do-It-Yourself Building Kits

Victoria D 40 (129 7/8" x 129 7/8")

Foundation



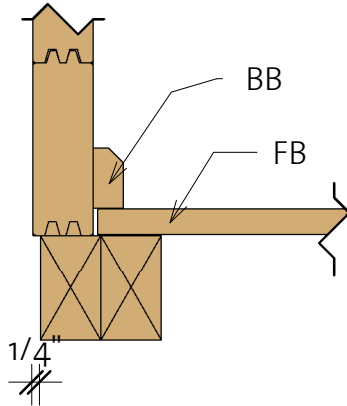
Impregnated foundation beams

Mark	Type	Profile	Count	Length
IFB1	IFB 40x70		7	128"
IFB2	IFB 40x70		1	107 1/4"
IFB3	IFB 40x70		1	92 3/8"
IFB4	IFB 40x70		1	90 3/4"
IFB5	IFB 40x70		2	54 1/4"

Victoria D 40 (129 7/8" x 129 7/8")

Floor Plan

① Baseboard

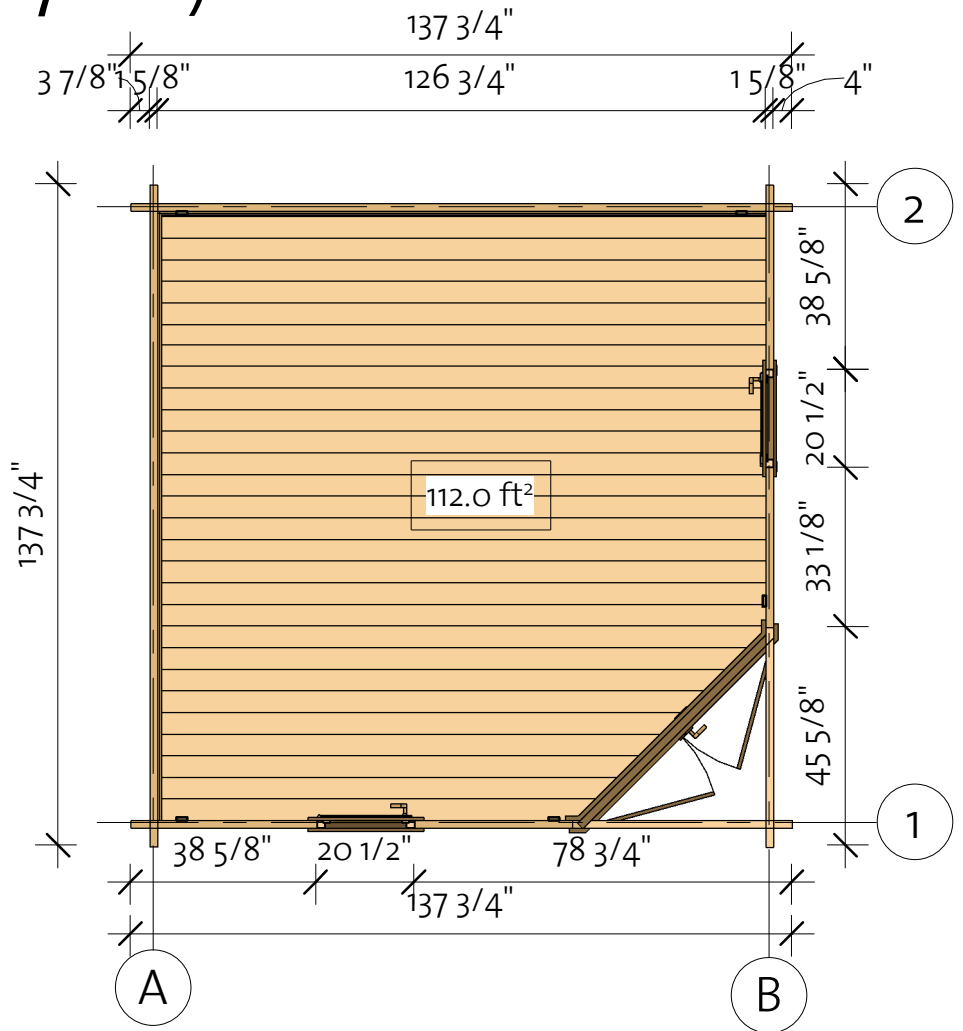


Floor Schedule

Mark	Type	Profile	Count	Length
------	------	---------	-------	--------

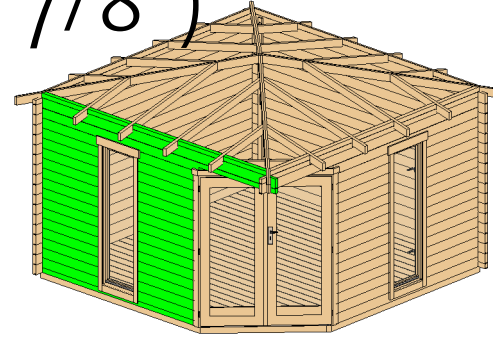
FB1	FB 17x114		1	93"
FB2	FB 17x114		1	97 1/2"
FB3	FB 17x114		1	101 7/8"
FB4	FB 17x114		1	106 3/8"
FB5	FB 17x114		1	110 7/8"
FB6	FB 17x114		1	115 3/8"
FB7	FB 17x114		1	119 7/8"
FB8	FB 17x114		1	124 3/8"
FB9	FB 17x114		1	126 5/8"
FB10	FB 17x114		21	126 5/8"

BB1	BB 20x40		4	129 7/8"
-----	----------	--	---	----------



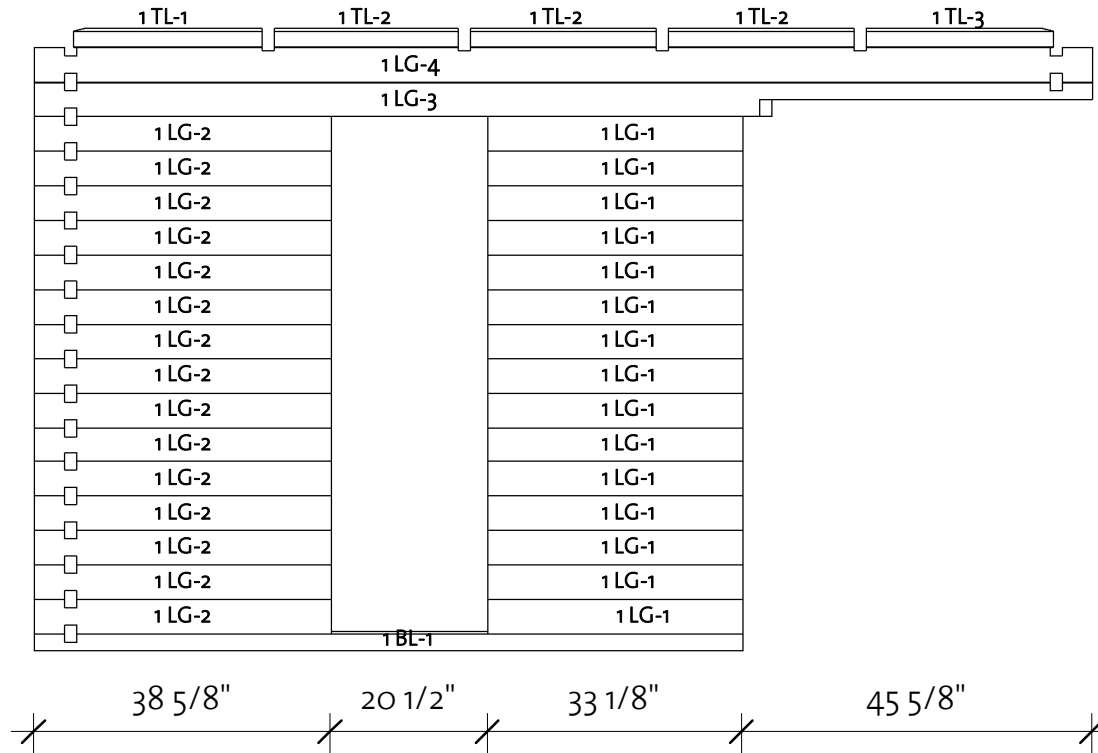
Victoria D 40 (129 7/8" x 129 7/8")

Wall 1

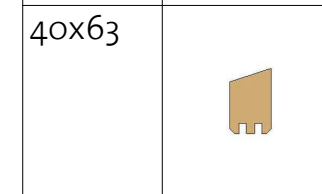
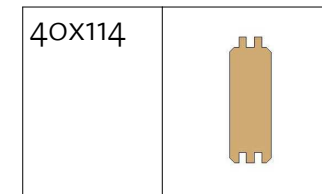


Wall 1			
Mark	Profile	Count	Cut Length

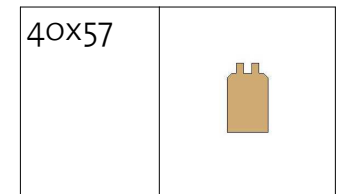
1BL-1	40x57	1	92 1/4"
1LG-1	40x114	15	33 1/8"
1LG-2	40x114	15	38 5/8"
1LG-3	40x114	1	137 3/4"
1LG-4	40x114	1	137 3/4"
1TL-1	40x63	1	24 1/2"
1TL-2	40x63	3	24 1/8"
1TL-3	40x63	1	24 1/2"



Log Profile Wall 1	
Profile	Profile

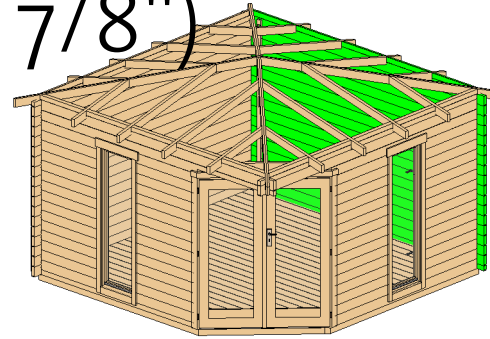


Log Profile Wall 1	
Profile	Profile



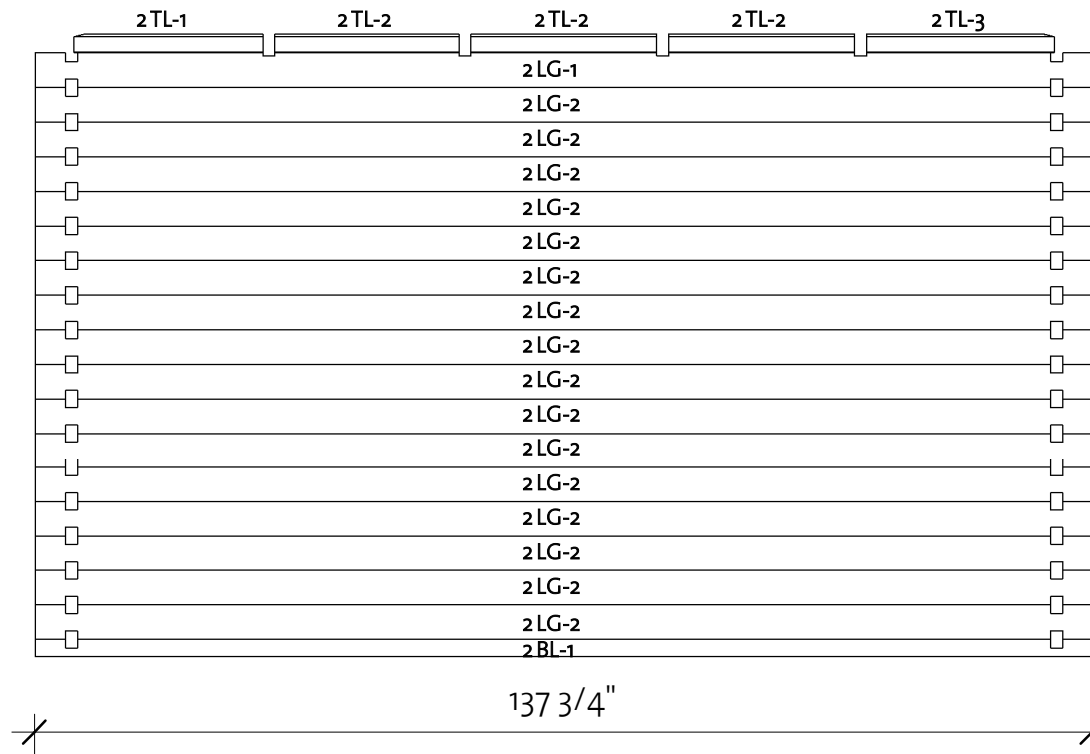
Victoria D 40 (129 7/8" x 129 7/8")

Wall 2


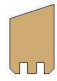


Wall 2			
Mark	Profile	Count	Cut Length

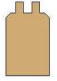
2TL-1	40x63	1	24 1/2"
2TL-2	40x63	3	24 1/8"
2TL-3	40x63	1	24 1/2"
2BL-1	40x57	1	137 3/4"
2LG-1	40x114	1	137 3/4"
2LG-2	40x114	16	137 3/4"



Log Profile Wall 2	
Profile	Profile

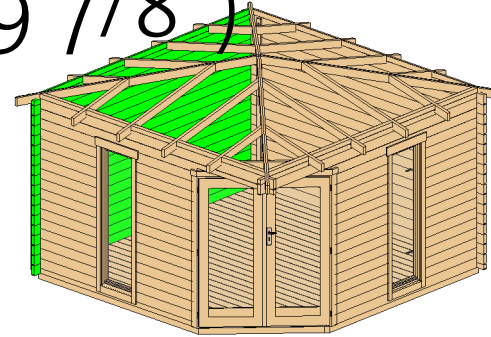
40x114	
40x63	

Log Profile Wall 2	
Profile	Profile

40x57	
-------	---

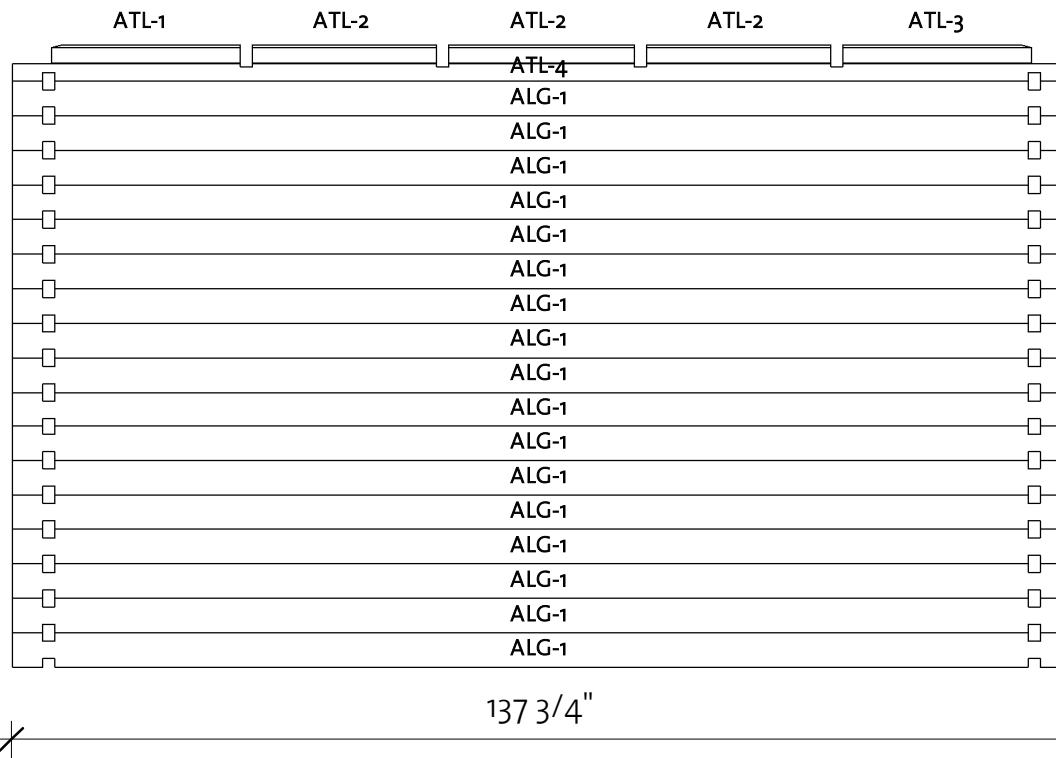
Victoria D 40 (129 7/8" x 129 7/8")

Wall A



Wall A			
Mark	Profile	Count	Cut Length

ATL-1	40x63	1	24 1/2"
ATL-2	40x63	3	24 1/8"
ATL-3	40x63	1	24 1/2"
ALG-1	40x114	17	137 3/4"
ATL-4	40x57 TL	1	137 3/4"

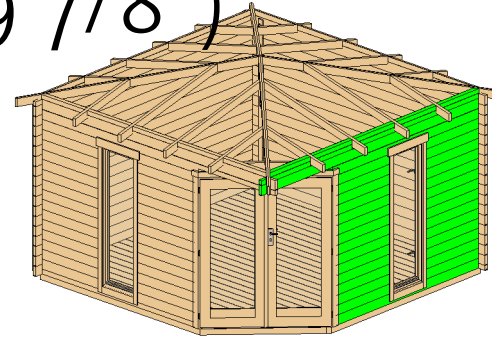


Log Profile Wall A	
Profile	Profile

40x57 TL	
40x63	
40x114	

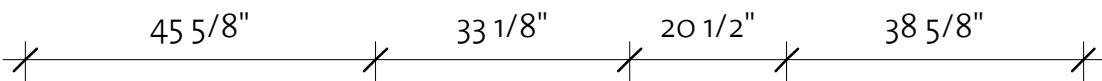
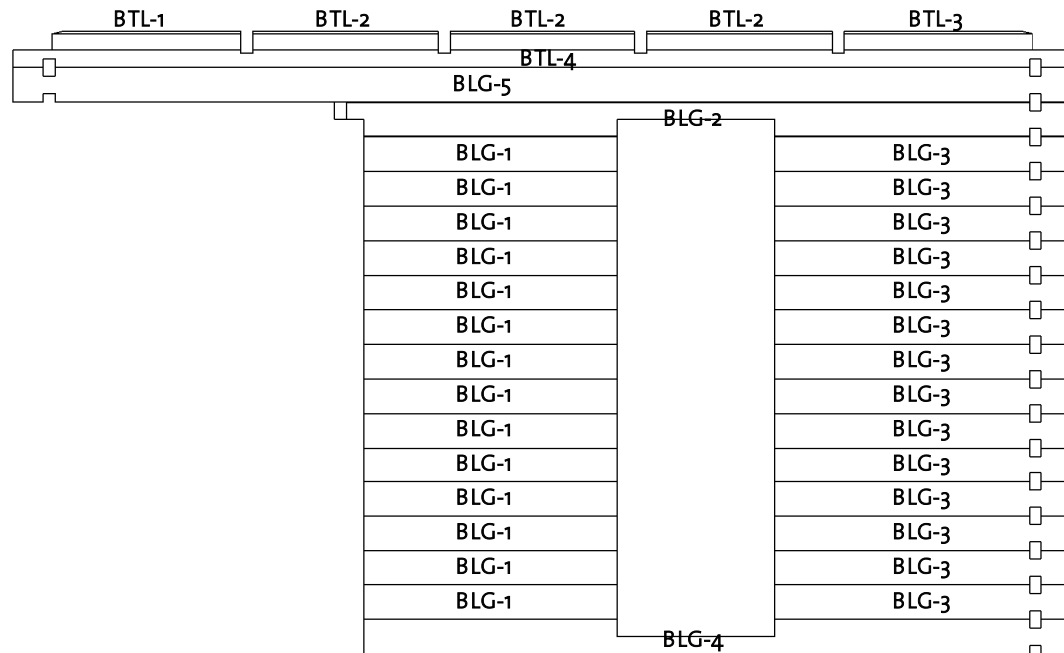
Victoria D 40 (129 7/8" x 129 7/8")

Wall B

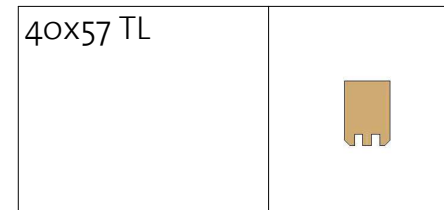


Wall B			
Mark	Profile	Count	Cut Length

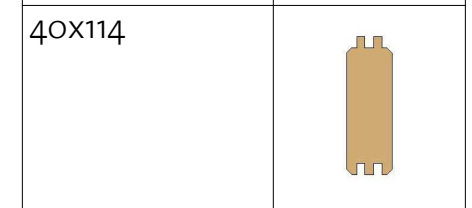
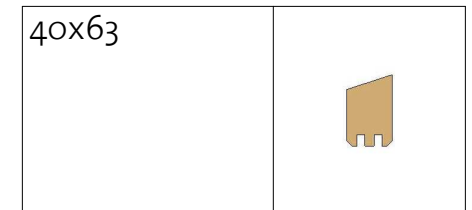
BTL-1	40x63	1	24 1/2"
BTL-2	40x63	3	24 1/8"
BTL-3	40x63	1	24 1/2"
BLG-1	40x114	14	33 1/8"
BLG-2	40x114	1	96"
BLG-3	40x114	14	38 5/8"
BLG-4	40x114	1	92 1/4"
BLG-5	40x114	1	137 3/4"
BTL-4	40x57 TL	1	137 3/4"



Log Profile Wall B	
Profile	Profile

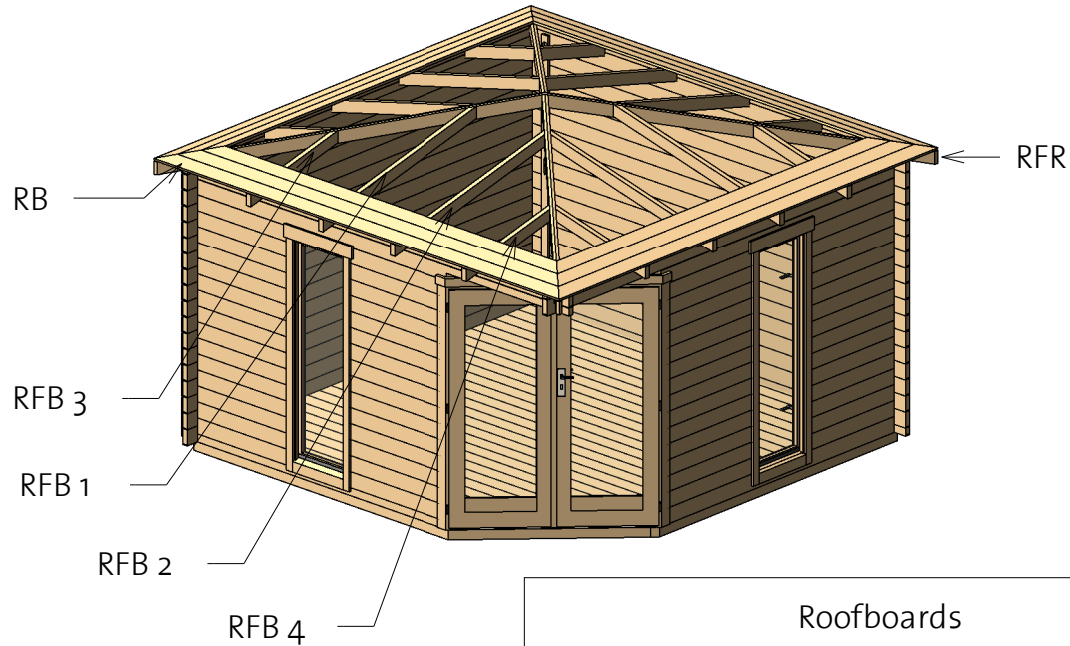


Log Profile Wall B	
Profile	Profile



Victoria D 40 (129 7/8" x 129 7/8")

Roof 1



Roof				
Mark	Type	Profile	Count	Length

RFR	40x94		4	103 3/8"
RFB1	40x85		4	61 5/8"
RFB2	40x85		4	61 5/8"
RFB3	40x85		4	35 1/8"
RFB4	40x85		4	35 1/8"

Roofboards				
Mark	Type	Profile	Count	Length

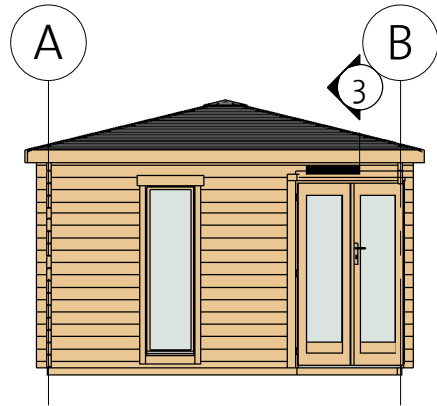
RB1	RoofBoard 17x59		4	4 7/8"
RB2	RoofBoard 17x114		4	13 1/2"
RB3	RoofBoard 17x114		4	22 1/4"
RB4	RoofBoard 17x114		4	31"
RB5	RoofBoard 17x114		4	39 3/4"
RB6	RoofBoard 17x114		4	48 3/8"
RB7	RoofBoard 17x114		4	57 1/8"

Roofboards				
Mark	Type	Profile	Count	Length

RB8	RoofBoard 17x114		4	65 7/8"
RB9	RoofBoard 17x114		4	74 5/8"
RB10	RoofBoard 17x114		4	83 3/8"
RB11	RoofBoard 17x114		4	92"
RB12	RoofBoard 17x114		4	100 3/4"
RB13	RoofBoard 17x114		4	109 1/2"
RB14	RoofBoard 17x114		4	118 1/4"
RB15	RoofBoard 17x114		4	126 7/8"
RB16	RoofBoard 17x114		4	135 5/8"
RB17	RoofBoard 17x114		4	144 3/8"

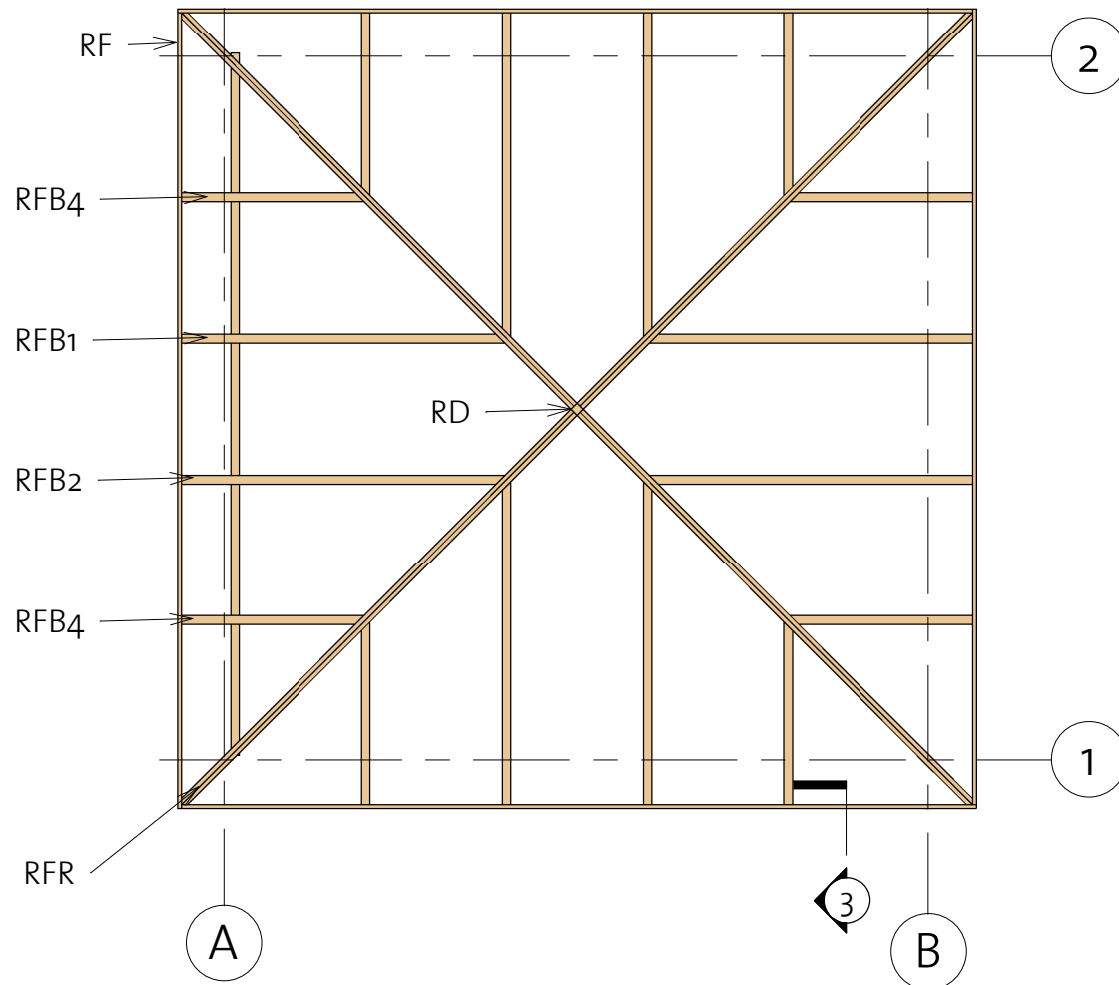
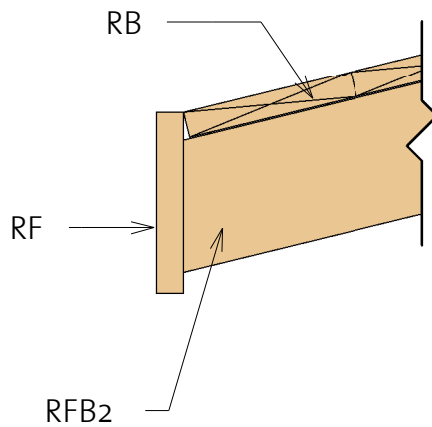
Victoria D 40 (129 7/8" x 129 7/8")

Roof 2



Fascia Schedule				
Mark	Type	Profile	Count	Length
RF	Roof Fascia 18x120		4	145 1/8"

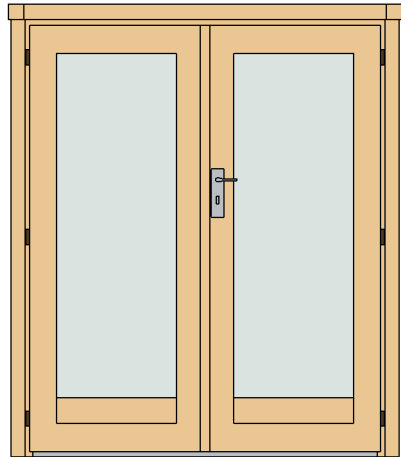
3 Facia



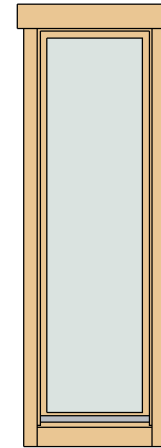
Victoria D 40 (129 7/8" x 129 7/8")

Extras

- * Windows intended for tilt opening only!
- * Fenster zur Eröffnung nur zum Kippen vorgesehen!
- * Aknad on ette nähtud ainult kaldu avamiseks!



Door Schedule				
Model	Type	Width	Height	Count
CDD13R	Classic double door 13, full glass right	56 1/8"	68 3/8"	1
DCB8	Door crossbar 8 optional	--	--	2

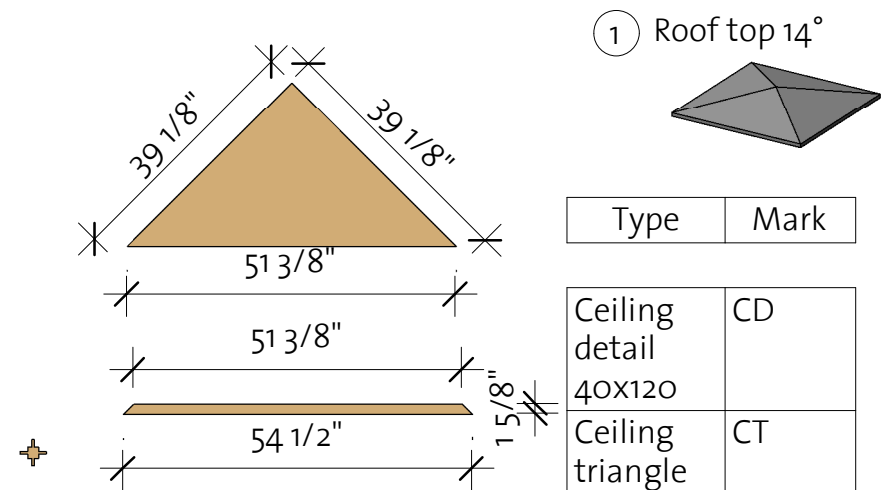


Window Schedule				
Model	Type	Width	Height	Count
CW13R	Classic window 13, full class right	20 1/4"	65 3/4"	2
WCB8	Window crossbar 8 optional	--	--	2

Fasteners & Extras		
Name	Type	Count
Bolts	M8 x 70	15
Hitblock	300-400 mm	
Nails	1,4 x 40	40
Screws	4,0 x 40	915
Screws	5,0 x 70	60
Screws	6,0 x 140	110






Type	Length
Windboard 18x40	2200
Roof Detdail	
Mark	Type
RD	Roof detail





Victoria D 40 (129 7/8"x129 7/8")

List of all items 1

Impregnated foundation beams					Floor Schedule				
Mark	Type	Profile	Count	Length	Mark	Type	Profile	Count	Length
IFB1	IFB 40x70		7	128"	FB1	FB 17x114		1	93"
IFB2	IFB 40x70		1	107 1/4"	FB2	FB 17x114		1	97 1/2"
IFB3	IFB 40x70		1	92 3/8"	FB3	FB 17x114		1	101 7/8"
IFB4	IFB 40x70		1	90 3/4"	FB4	FB 17x114		1	106 3/8"
IFB5	IFB 40x70		2	54 1/4"	FB5	FB 17x114		1	110 7/8"
					FB6	FB 17x114		1	115 3/8"
					FB7	FB 17x114		1	119 7/8"
					FB8	FB 17x114		1	124 3/8"
					FB9	FB 17x114		1	126 5/8"
					FB10	FB 17x114		21	126 5/8"

Roofboards					Roofboards				
Mark	Type	Profile	Count	Length	Mark	Type	Profile	Count	Length
RB1	RoofBoard 17x59		4	4 7/8"	RB8	RoofBoard 17x114		4	65 7/8"
RB2	RoofBoard 17x114		4	13 1/2"	RB9	RoofBoard 17x114		4	74 5/8"
RB3	RoofBoard 17x114		4	22 1/4"	RB10	RoofBoard 17x114		4	83 3/8"
RB4	RoofBoard 17x114		4	31"	RB11	RoofBoard 17x114		4	92"
RB5	RoofBoard 17x114		4	39 3/4"	RB12	RoofBoard 17x114		4	100 3/4"
RB6	RoofBoard 17x114		4	48 3/8"	RB13	RoofBoard 17x114		4	109 1/2"
RB7	RoofBoard 17x114		4	57 1/8"	RB14	RoofBoard 17x114		4	118 1/4"
					RB15	RoofBoard 17x114		4	126 7/8"
					RB16	RoofBoard 17x114		4	135 5/8"
					RB17	RoofBoard 17x114		4	144 3/8"

BB1	BB 20x40		4	129 7/8"
-----	-------------	---	---	-------------

Fascia Schedule				
Mark	Type	Profile	Count	Length
RF	Roof Fascia 18x120		4	145 1/8"

Victoria D 40 (129 7/8" x 129 7/8")

List of all items 2

Wall 1			
Mark	Profile	Count	Cut Length

1BL-1	40X57	1	92 1/4"
1LG-1	40X114	15	33 1/8"
1LG-2	40X114	15	38 5/8"
1LG-3	40X114	1	137 3/4"
1LG-4	40X114	1	137 3/4"
1TL-1	40X63	1	24 1/2"
1TL-2	40X63	3	24 1/8"
1TL-3	40X63	1	24 1/2"

Wall 2			
Mark	Profile	Count	Cut Length

2TL-1	40X63	1	24 1/2"
2TL-2	40X63	3	24 1/8"
2TL-3	40X63	1	24 1/2"
2BL-1	40X57	1	137 3/4"
2LG-1	40X114	1	137 3/4"
2LG-2	40X114	16	137 3/4"

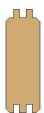

Wall A			
Mark	Profile	Count	Cut Length

ATL-1	40X63	1	24 1/2"
ATL-2	40X63	3	24 1/8"
ATL-3	40X63	1	24 1/2"
ALG-1	40X114	17	137 3/4"
ATL-4	40X57 TL	1	137 3/4"

Wall B			
Mark	Profile	Count	Cut Length

BTL-1	40X63	1	24 1/2"
BTL-2	40X63	3	24 1/8"
BTL-3	40X63	1	24 1/2"
BLG-1	40X114	14	33 1/8"
BLG-2	40X114	1	96"
BLG-3	40X114	14	38 5/8"
BLG-4	40X114	1	92 1/4"
BLG-5	40X114	1	137 3/4"
BTL-4	40X57 TL	1	137 3/4"

Log Profiles	
Profile	Profile



40X114	
40X63	

Log Profiles	
Profile	Profile

40X57	
40X57 TL	

Victoria D 40 (129 7/8"x129 7/8")

List of all items 3

Roof				
Mark	Type	Profile	Count	Length
RFR	40x94		4	103 3/8"
RFB1	40x85		4	61 5/8"
RFB2	40x85		4	61 5/8"
RFB3	40x85		4	35 1/8"
RFB4	40x85		4	35 1/8"